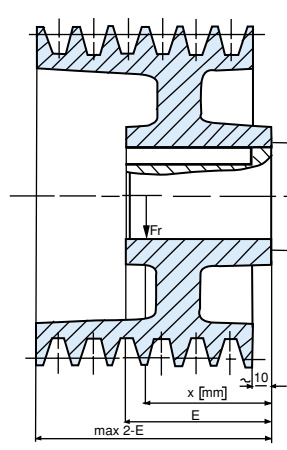


Pacco Lenght	Max potenza eccitazione Max excitation power	Momento di inerzia Moment of inertia	Dimensioni spazzole Brush dimensions	Cuscinetto lato accoppiamento Drive end bearing		Cuscinetto lato collettore No-drive end bearing	Peso Weight
				Sfere Balls	Rulli Rollers		
	W	Kg m ²	mm				Kg
S	1250	0.52	12.5x32x40 o 16x32x50	6313 - 2Z - C3	NU 313 ECP	6311 - 2Z - C3	380
M	1420	0.61					420
L	1590	0.7					460
P	1750	0.79					495

Dati ventilazione Ventilation		Elettroventilatore Electrofan		Rumorosità Noise
Portata Air flow	Prevalenza Pressure	Potenza Power	I a 400 V I at 400 V	
m ³ /h	mm H ₂ O	Kw	A	dB _A
1400	130	2.2	4.8	80

Carico radiale (daN) ammissibile per una durata teorica del cuscinetto lato accoppiamento di 20.000 ore
Admitted radial load (daN) for a theoretic 20.000 hours of the drive end bearing



rpm	Fr (daN)											
	200	400	600	1000	1200	1500	2000	2500	3000	3500	4000	
6313 - 2Z - C3	X	Fr (daN)										
	0	1200	916	778	620	577	518	464	400	372	343	317
	35	1140	874	743	592	551	495	443	381	355	327	303
	70	844	844	717	572	532	478	427	368	343	316	293
	105	693	693	693	552	514	462	413	356	331	305	283
	140	534	534	534	534	497	447	400	344	321	295	273
NU 313 ECP	X	Fr (daN)										
	0	1850	1850	1850	1850	1760	1630	1500	1350	1280	1220	1150
	35	1440	1440	1440	1440	1440	1440	1440	1290	1230	1170	1100
	70	960	960	960	960	960	960	960	960	960	960	960
	105	754	754	754	754	754	754	754	754	754	754	754
	140	621	621	621	621	621	621	621	621	621	621	621

MM 180 M

	VELOCITÀ [rpm] ALLE TENSIONI						P [kw]	I [A]	η	ARMATURA	
	220V	260V	330V	400V	440V	520V				L [mH]	R ₁₁₅ [Ω]
A	1530						78.2	404	0.881	1.56	0.052
		1840					92.6	397	0.896		
			2390				114.8	381	0.914		
				2940			129.2	349	0.926		
					3270		130.8	320	0.930		
B	1200						62.6	330	0.862	2.43	0.076
		1440					74.7	326	0.881		
			1880				94.9	318	0.903		
				2320			113.0	308	0.916		
					2570		121.3	299	0.922		
						3080	131.1	271	0.930		
C	940						53.9	294	0.835	0.77	0.107
		1140					65.3	292	0.858		
			1500				84.1	288	0.886		
				1850			102.3	283	0.903		
					2050		112.5	281	0.910		
D	840						48.0	264	0.825	0.81	0.128
		1020					58.2	263	0.850		
			1350				75.6	261	0.879		
				1670			92.2	257	0.897		
					1850		101.4	255	0.905		
						*2220	118.8	249	0.917		
E	670						38.3	219	0.794	1.35	0.186
		8210					46.9	219	0.823		
			1080				61.8	219	0.857		
				1350			76.2	216	0.880		
					1500		84.0	215	0.890		
						1810	99.6	212	0.904		
F	590						33.6	198	0.771	1.44	0.231
		730					41.4	198	0.804		
			970				55.0	198	0.843		
				1210			68.2	197	0.868		
					1340		75.6	196	0.878		
						*1620	89.9	193	0.895		
G	500						28.1	174	0.735	2.11	0.310
		620					35.0	174	0.774		
			830				46.9	174	0.818		
				1040			58.7	173	0.848		
					1160		65.4	173	0.860		
						1400	78.3	171	0.880		
H	440						24.9	157	0.724	2.25	0.360
		550					31.1	157	0.764		
			740				41.9	157	0.811		
				940			52.6	156	0.841		
					1050		58.7	156	0.854		
						*1270	70.5	155	0.875		
X	390						22.0	144	0.694	3.04	0.437
		490					27.7	144	0.738		
			670				37.7	144	0.791		
				840			47.6	144	0.825		
					940		53.3	144	0.839		
						1150	64.4	144	0.862		

	VELOCITÀ [rpm] ALLE TENSIONI						P [kw]	I [A]	η	ARMATURA	
	220V	260V	330V	400V	440V	520V				L [mH]	R ₁₁₅ [Ω]
I	340						19.7	132	0.676	3.24	0.507
		440					24.9	132	0.724		
			600				34.0	132	0.780		
				760			43.1	132	0.815		
					850		48.3	132	0.831		
						*1030	58.5	132	0.855		
J		400					22.5	123	0.7	4.14	0.593
			550				31.0	123	0.761		
				700			39.5	123	0.8		
					790		44.3	123	0.817		
						960	53.9	123	0.843		
K		330					18.8	108	0.668	5.40	0.755
			460				26.3	108	0.736		
				600			33.7	108	0.779		
					670		38.0	108	0.798		
						820	46.5	108	0.827		
L			400				22.4	96	0.704	6.84	0.957
				510			29.0	96	0.753		
					580		32.8	96	0.774		
						710	40.4	96	0.807		
M			340				19.1	86	0.671	8.44	1.199
				450			25.0	86	0.726		
					510		28.4	86	0.750		
						630	35.2	86	0.786		

NOTE:

- a) * : Con Vca max ingresso convertitore di 460 Vrms
- b) Gli avvolgimenti compensatori sono previsti di serie
- c) I dati riportati fanno riferimento a motori:
 - con ventilazione assistita addossata PVA
 - in servizio continuo CEI S1
 - con alimentazione con fattore di forma = 1
 - con temperatura massima ambiente 40 °C
 - con altitudine s.l.m. max 1000 m.

MM 180 L

	VELOCITÀ [rpm] ALLE TENSIONI						P [kw]	I [A]	η	ARMATURA	
	220V	260V	330V	400V	440V	520V				L [mH]	R ₁₁₅ [Ω]
A	1270						77.0	401	0.873	1.86	0.057
		1530					91.3	394	0.891		
			1990				115.5	384	0.910		
				2450			135.4	367	0.923		
					2710		144.1	353	0.928		
						3250	152.2	313	0.935		
B	990						61.0	325	0.853	2.90	0.085
		1200					73.3	323	0.874		
			1570				93.7	316	0.898		
				1930			113.1	310	0.913		
					2140		123.3	305	0.919		
						2560	140.1	290	0.929		
C	780						52.1	287	0.824	0.91	0.119
		940					63.3	287	0.849		
			1240				82.4	284	0.878		
				1540			100.5	280	0.898		
					1710		110.7	278	0.905		
D	690						46.2	258	0.814	0.97	0.142
		850					56.3	258	0.840		
			1120				73.8	257	0.871		
				1390			90.5	254	0.891		
					1540		99.6	251	0.900		
						*1850	117.7	248	0.913		
E	670						41.2	231	0.810	5.68	0.161
		820					50.3	231	0.837		
			1080				66.0	230	0.868		
				1340			80.9	228	0.889		
					1490		89.0	225	0.898		
						1790	105.2	222	0.911		
F	550						36.7	214	0.780	1.61	0.206
		680					45.2	214	0.811		
			900				59.9	214	0.848		
				1120			74.4	213	0.872		
					1250		82.4	212	0.883		
G							97.7	209	0.899	1.72	0.256
	480						32.1	193	0.755		
		600					39.8	193	0.791		
			800				53.1	193	0.832		
				1000			66.3	193	0.859		
					1120		73.8	193	0.871		
H							88.1	191	0.889	2.52	0.343
	400						26.7	170	0.716		
		510					33.4	170	0.758		
			680				45.1	170	0.806		
				860			56.8	170	0.838		
					960		63.4	169	0.851		
I							76.4	169	0.872	2.69	0.399
	360						23.7	153	0.704		
		450					29.7	153	0.747		
			610				40.3	153	0.798		
				770			50.8	153	0.831		
					870		56.8	153	0.845		
					*1050	68.7	152	0.847			

	VELOCITÀ [rpm] ALLE TENSIONI						P [kw]	I [A]	η	ARMATURA	
	220V	260V	330V	400V	440V	520V				L [mH]	R ₁₁₅ [Ω]
J	320						20.8	141	0.671	3.62	0.484
		400					26.4	141	0.720		
			550				36.1	141	0.776		
				700			45.9	141	0.813		
					780		51.4	141	0.829		
						950	62.4	141	0.853		
K	280						18.5	129	0.652	3.87	0.562
		350					23.6	129	0.704		
			490				32.5	129	0.764		
				620			41.4	129	0.803		
					700		46.5	129	0.819		
						*850	56.6	129	0.845		
L										6.44	0.836
			380				25.0	106	0.716		
				490			32.2	106	0.764		
					550		36.4	106	0.784		
						680	44.7	106	0.815		
M										8.15	1.061
			320				21.2	94	0.682		
				420			27.6	94	0.735		
					480		31.4	94	0.758		
						590	38.8	94	0.793		
N										10.06	1.328
				360			23.7	84	0.706		
					410		27.0	84	0.732		
						510	33.6	84	0.771		

a) *: With max Vac at convertor input equal to 460 Vrms

b) Stabilizing windings are standard

c) The data shown refer to motors:

- with assisted leaning ventilation PVA
- in continuous service CEI S1
- with form factor = 1
- with maximum room temperature 40 °C
- with maximum height above sea level 1000 m.

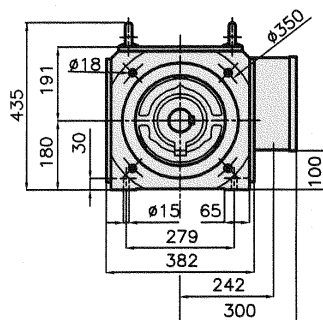
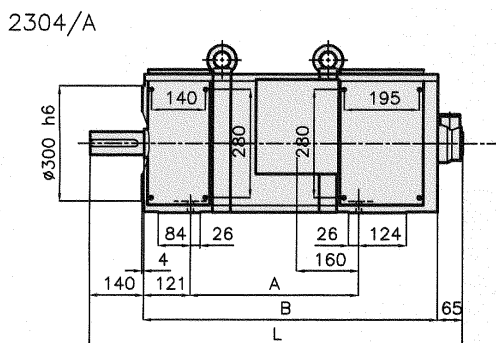
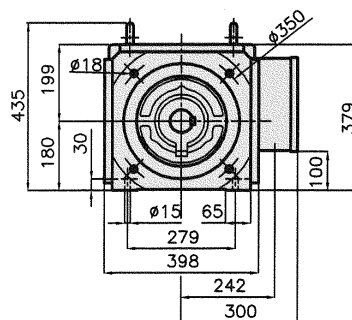
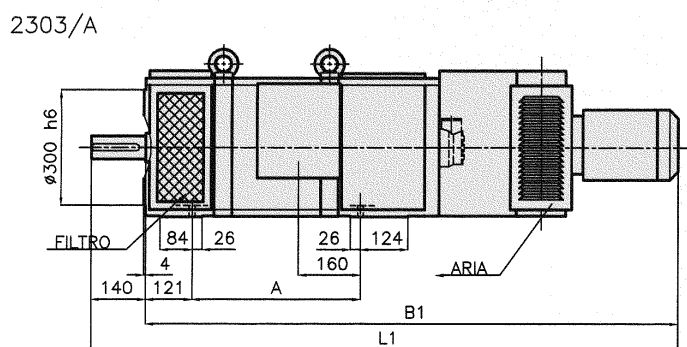
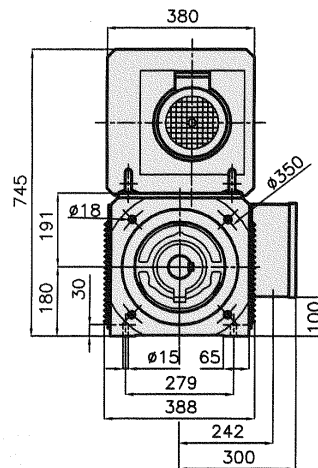
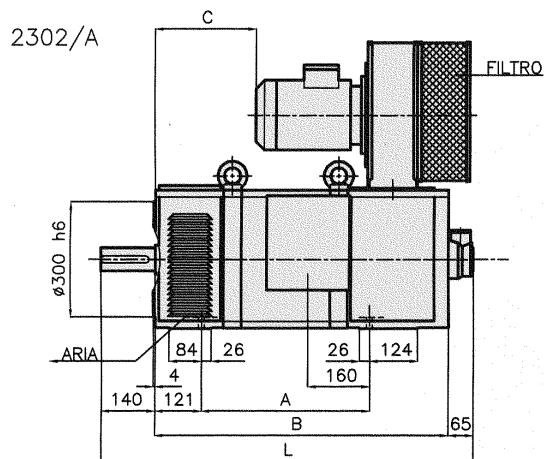
MM 180 P

	VELOCITÀ [rpm] ALLE TENSIONI						P [kw]	I [A]	η	ARMATURA	
	220V	260V	330V	400V	440V	520V				L [mH]	R ₁₁₅ [Ω]
A	1100						75.3	395	0.867	2.12	0.062
		1320					90.1	391	0.885		
			1720				114.4	382	0.906		
				2120			136.5	371	0.920		
					2350		147.4	362	0.926		
						2810	164.8	339	0.934		
B	850						59.4	319	0.845	3.32	0.092
		1040					71.7	318	0.867		
			1360				92.5	314	0.892		
				1670			112.0	308	0.909		
					1860		122.8	305	0.916		
						2220	142.1	295	0.926		
C	670						50.4	281	0.815	1.05	0.129
		820					61.5	281	0.841		
			1070				80.4	279	0.872		
				1330			98.8	277	0.892		
					1480		109.0	275	0.901		
D	600						44.6	252	0.803	1.11	0.154
		730					54.6	252	0.831		
			960				71.8	252	0.864		
				1200			88.6	250	0.886		
					1330		98.0	249	0.895		
						*1600	116.1	245	0.909		
E	580						39.9	227	0.799	6.51	0.175
		710					48.8	227	0.828		
			930				64.3	226	0.862		
				1160			79.3	224	0.884		
					1290		87.8	223	0.893		
						1550	103.9	220	0.907		
F	470						35.4	210	0.767	1.86	0.224
		580					43.6	210	0.801		
			780				58.1	210	0.840		
				970			72.4	209	0.866		
					1080		80.4	208	0.877		
						1300	96.1	207	0.894		
G	410						30.9	189	0.741	1.97	0.279
		510					38.4	189	0.779		
			690				51.4	189	0.823		
				860			64.5	189	0.852		
					960		71.8	189	0.864		
						*1170	86.2	188	0.883		
H	340						25.6	166	0.700	2.90	0.373
		430					32.1	166	0.744		
			590				43.6	166	0.796		
				740			55.1	166	0.829		
					830		61.6	166	0.843		
						1010	74.4	165	0.866		
I	310						22.6	150	0.686	3.08	0.435
		390					28.5	150	0.732		
			530				38.8	150	0.786		
				670			49.2	150	0.821		
					750		55.1	150	0.836		
						*910	66.8	149	0.860		

	VELOCITÀ [rpm] ALLE TENSIONI						P [kw]	I [A]	η	ARMATURA		
	220V	260V	330V	400V	440V	520V				L [mH]	R ₁₁₅ [Ω]	
J										4.44	0.612	
				420				31.2	126			0.750
					540			40.0	126			0.791
						600		45.0	126			0.809
							*740	54.9	126			0.836
K										7.42	0.910	
				320				23.9	103			0.699
					420			31.0	103			0.750
						470		35.1	103			0.771
L										9.40	1.154	
					360			26.5	92			0.720
						410		30.1	92			0.744
							500	37.4	92			0.781
M										11.60	1.445	
					310			22.6	82			0.689
						350		25.9	82			0.716
							440	32.4	82			0.758

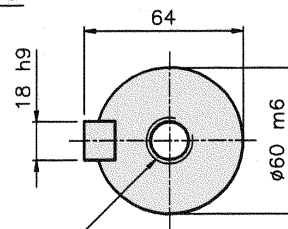
Dimensioni d'ingombro

Overall dimensions



Tipo Type	Ingombri massimi / Max overall						
	A	B	B1	C	L	L1	
MM 180	S	436	761	1380	261	966	1520
	M	491	816	1435	316	1021	1575
	L	546	871	1490	371	1076	1630
	P	596	921	1540	421	1126	1680

ESTREMITA' ASSE



CENTRO M20 UNI 9321

La MAGNETIC si riserva la facoltà di cambiare senza preavviso i dati contenuti nel presente catalogo. / MAGNETIC reserves the right to change any data contained in this catalogue, without previous notice.



MAGNETIC SpA

Sede Amm.va e Stabilimento:
Via del Lavoro, 7
36054 Montebello Vicentino (VI) Italy
Tel. (0444) 649399
Fax (0444) 440495
E-mail: info@magneticspa.it
Web site: www.magneticspa.it