

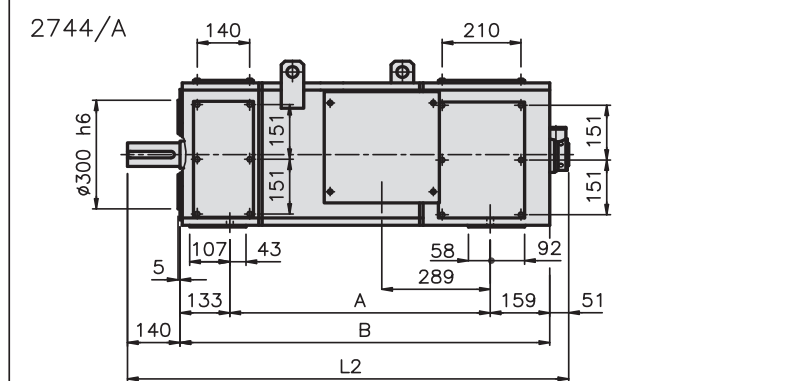
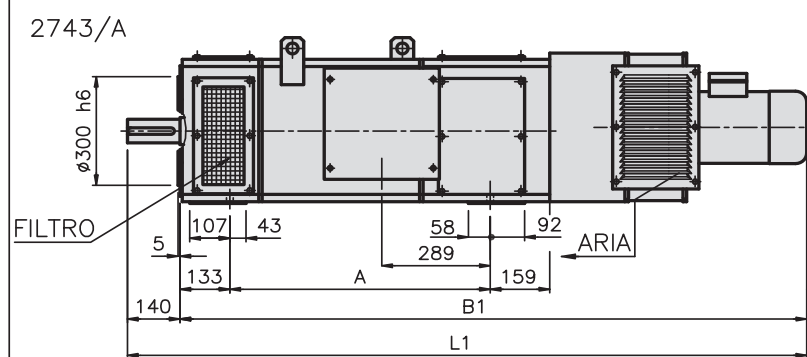
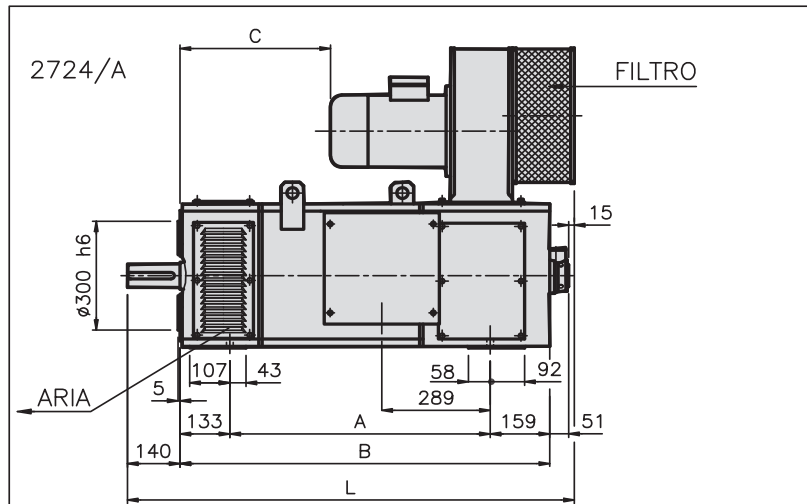
MAG 200 L

	VELOCITA' [RPM] ALLE TENSIONI						P [kW]	I [A]	η [%]	ARMATURA	
	260V	330V	400V	440V	520V	570V				L [mH]	R ₁₁₅ [Ω]
A	1510						126.6	532	91.4	0.12	0.028
		1950					162.9	532	92.7		
			2390				195.1	522	93.5		
				2640			210.4	510	93.8		
					3140		237.6	485	94.2		
B	1350						120.5	518	89.4	0.14	0.039
		1750					152.5	506	91.3		
			2150				182.0	492	92.4		
				2380			197.3	483	92.9		
					2840		224.9	462	93.5		
C	1100						99.6	432	88.7	0.21	0.052
		1430					127.2	425	90.7		
			1760				153.3	417	92.0		
				1940			167.5	411	92.5		
					2320		193.9	400	93.3		
D	980						88.6	392	86.9	0.25	0.069
		1280					114.1	387	89.3		
			1580				138.5	381	90.9		
				1760			151.7	377	91.5		
					2100		177.0	368	92.5		
E	750						66.0	299	84.9	0.41	0.108
		990					85.9	297	87.7		
			1230				105.2	294	89.6		
				1360			116.0	292	90.3		
					2310		191.4	361	92.9		
F	530						46.8	226	79.6	0.72	0.202
		710					62.4	226	83.6		
			880				77.5	225	86.1		
				990			86.0	224	87.2		
					1190		102.8	222	88.9		
G	410						35.5	180	76.1	1.13	0.306
		550					47.9	180	80.7		
			690				60.2	180	83.8		
				770			67.2	179	85.1		
					930		80.8	178	87.1		
H	330						29.1	149	74.9	1.62	0.387
		450					39.3	149	79.9		
			570				49.6	149	83.1		
				640			55.4	149	84.4		
					770		67.0	149	86.6		
I		380					32.9	127	78.3	2.21	0.495
			480				41.6	127	81.8		
				540			46.6	127	83.3		
					650		56.6	127	85.6		
						720	62.8	127	86.7		
L		330					28.3	111	77.0	2.89	0.603
			410				35.9	111	80.7		
				460			40.3	111	82.3		
					570		49.0	111	84.7		
						630	54.5	111	85.9		

MAG 200 P

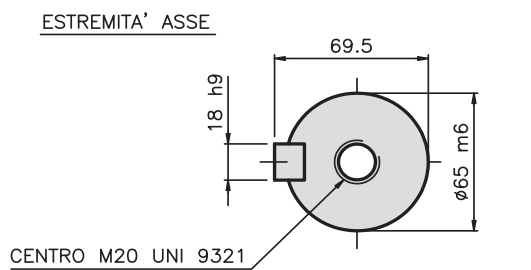
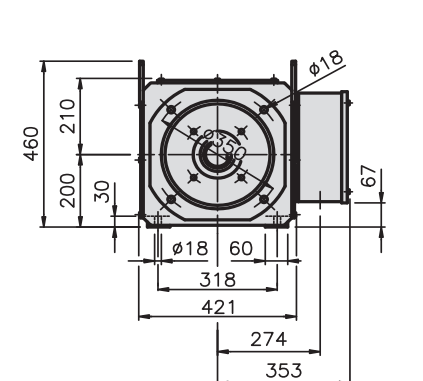
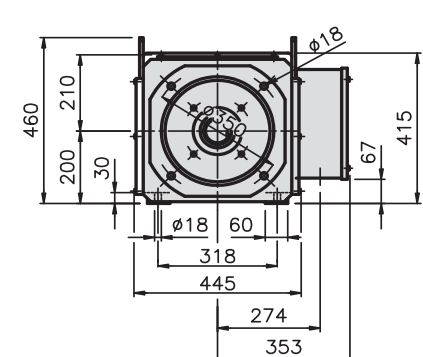
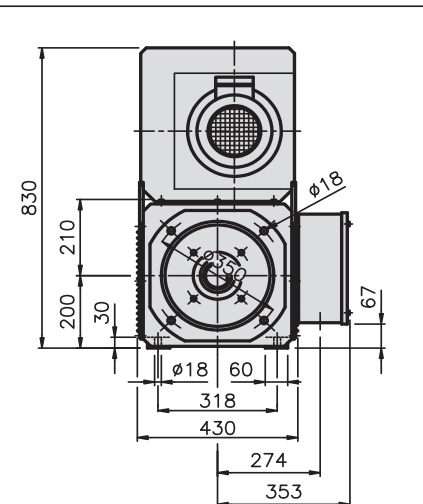
	VELOCITA' [RPM] ALLE TENSIONI						P [kW]	I [A]	η [%]	ARMATURA	
	260V	330V	400V	440V	520V	570V				L [mH]	R ₁₁₅ [Ω]
A	1320						125.9	532	91.0	0.13	0.030
		1710					162.3	532	92.4		
			2090				194.0	520	93.3		
				2310			209.8	509	93.7		
					2750		237.7	485	94.2		
B	1180						119.1	516	88.8	0.16	0.042
		1530					150.9	503	90.8		
			1880				180.5	490	92.1		
				2080			196.1	481	92.7		
					2490		224.5	462	93.4		
C	960						98.2	429	88.0	0.24	0.056
		1250					125.8	423	90.2		
			1530				151.8	414	91.6		
				1700			165.8	409	92.2		
					2030		192.4	397	93.1		
D	850						87.3	390	86.1	0.29	0.074
		1120					112.7	385	88.7		
			1380				136.9	378	90.4		
				1530			150.1	374	91.1		
					1840		175.3	366	92.2		
E	660						64.7	297	83.9	0.46	0.117
		860					84.6	295	86.9		
			1070				103.9	292	88.9		
				1190			114.6	290	89.8		
					2030		189.9	359	92.7		
F	460						45.6	224	78.2	0.82	0.219
		610					61.0	224	82.4		
			770				76.3	224	85.2		
				860			84.8	223	86.4		
					1030		101.5	221	88.2		
G	350						34.5	178	74.4	1.29	0.331
		470					46.7	178	79.4		
			600				59.0	178	82.7		
				670			66.0	178	84.1		
					810		79.7	178	86.3		
H	390						38.3	148	78.5	1.85	0.419
		490					48.5	148	81.9		
			550				54.3	148	83.4		
				670			65.9	148	85.7		
					740		73.1	148	86.8		
I	330						32.0	126	76.8	2.52	0.536
		410					40.6	126	80.5		
			470				45.6	126	82.1		
				570			55.5	126	84.6		
					630		61.7	126	85.8		
L		360					35.1	110	79.4	3.29	0.653
			400				39.4	110	81.1		
				490			48.0	110	83.7		
					550		53.5	110	85.0		

Dimensioni d'ingombro



Tipo Type	Ingombri massimi / Max overall						
	A	B	B1	C	L	L1	L2
MM200	S	644	936	1621	352	1142	1761
	M	694	986	1671	402	1192	1811
MAG200	L	744	1036	1721	452	1242	1861
	P	794	1086	1771	502	1292	1911

Overall dimensions



La MAGNETIC si riserva la facoltà di cambiare senza preavviso i dati contenuti nel presente catalogo. / MAGNETIC reserves the right to change any data contained in this catalogue, without previous notice.



MM-MAG 200

La taglia 200 viene prodotta in 2 esecuzioni: versione MM200 per applicazioni a coppia costante e versione MAG200 con avvolgimenti compensatori per applicazioni con regolazione a potenza costante e/o frequenti sovraccarichi.
 Frame 200 is manufactured in 2 different versions: MM200 for constant torque applications and MAG200 with compensator windings for applications with constant power regulation and/or frequent overloads.

Pacco Length	Max.potenza eccitazione Max excitation power		Momento d'inerzia Moment of inertia [Kg m²]	Dimesioni spazzole Brush dimensions [mm]		Cuscinetto lato accoppiamento Drive end bearing		Cuscinetto lato collettore No-drive end bearing	Peso Weight [Kg]
	MM series	MAG series		Sfere Balls	Rulli Rollers				
S	1950	1500	1.02	16 x 32 x 50	6315 - 2Z - C3	NU 315 EC	6313 - 2Z - C3	580	
M	2300	1730	1.14					625	
L	2550	1960	1.26					670	
P	2800	2190	1.38					715	

Dati ventilazione Ventilation		Elettroventilatore Electrofan		Rumorosità Noise [dB _A]
Potenza Air flow [m³/h]	Prevalenza Pressure [mmH ₂ O]	Potenza Power [kW]	I a 400 V I at 400V [A]	
2350	170	3	6	87

Carico radiale [daN] ammissibile per una durata teorica del cuscinetto lato accoppiamento di 20.000 ore Admitted radial load [daN] for a theoretic 20.000 hours of the drive end bearing												
[RPM]	X	Fr [daN]										
		200	400	600	1000	1200	1500	2000	2500	3000	3200	4000
6315-2Z-C3	0	1523	1171	984	819	749	688	610	556	512	462	-
	35	1465	1127	947	788	720	662	587	535	493	445	-
	70	1412	1086	912	759	694	638	566	515	475	428	-
	105	1362	1047	880	732	669	615	546	497	458	413	-
	140	1315	1012	850	707	647	594	527	480	443	399	-
NU 315 EC	0	4151	3343	2932	2495	2356	2188	1999	1861	1739	1691	-
	35	-	3216	2821	2400	2267	2105	1923	1790	1673	1627	-
	70	-	-	-	2312	2184	2028	1853	1725	1612	1567	-
	105	-	-	-	-	2107	1956	1788	1664	1555	1512	-
	140	-	-	-	-	-	-	1727	1607	1502	1460	-

NOTE:
 a) Avvolgimenti compensati
 b) I dati riportati fanno riferimento a motori: • con ventilazione assistita addossata PVA • in servizio continuo CEI S1
 • con alimentazione con fattore di forma = 1 • con temperatura massima ambiente 40 °C • con altitudine s.l.m. max 1000 m



MAGNETIC SpA
 Sede Amm.va e Stabilimento:
 Via del Lavoro, 7
 36054 Montebello Vicentino (VI) Italy
 Tel. (0444) 649399
 Fax (0444) 440495
 E-mail: info@magneticspa.it
 Web site: www.magneticspa.it

MM 200 S

	VELOCITA' [RPM] ALLE TENSIONI						P [kW]	I [A]	η [%]	ARMATURA	
	260V	330V	400V	440V	520V	570V				L [mH]	R _{115°} [Ω]
A	2180						128.5	532	92.8	0.22	0.020
							164.2	532	93.5		
B	1970						127.7	531	92.5	0.26	0.023
		2540					158.8	515	93.4		
			3110				186.8	497	93.9		
C	1600						105.2	442	91.4	0.39	0.034
		2060					133.3	436	92.7		
			2530				158.6	424	93.5		
D	1460						94.9	401	91.1	0.47	0.040
		1880					121.0	397	92.5		
			2300				145.1	389	93.3		
				2540			157.8	383	93.6		
					3030		181.7	372	94.0		
E	1110						70.1	305	88.5	0.76	0.075
		1440					90.6	303	90.5		
			1780				110.4	301	91.7		
				1970			121.4	299	92.2		
					2350		141.9	293	93.0		
F	810						51.5	231	85.9	1.34	0.130
		1060					67.2	230	88.4		
			1310				82.7	230	90.1		
				1450			91.5	229	90.8		
					1730		108.7	228	91.8		
G	620						39.2	183	82.3	2.10	0.215
		820					51.7	183	85.6		
			1020				64.2	183	87.8		
				1130			71.3	183	88.7		
					1360		85.4	182	90.1		
H	500						31.6	152	79.8	3.02	0.300
		670					42.1	152	83.7		
			830				52.5	152	86.2		
				930			58.4	152	87.3		
					1120		70.2	152	88.9		
I	410						25.7	130	76.2	4.12	0.425
		550					34.6	130	80.8		
			690				43.5	130	83.9		
				770			48.6	130	85.2		
					940		58.7	130	87.1		
L	340						21.7	114	73.4	5.38	0.549
		470					29.5	114	78.7		
			590				37.3	114	82.1		
				660			41.7	114	83.5		
					810		50.6	113	85.8		

MM 200 M

	VELOCITA' [RPM] ALLE TENSIONI						P [kW]	I [A]	η [%]	ARMATURA	
	260V	330V	400V	440V	520V	570V				L [mH]	R _{115°} [Ω]
A	1820						128.1	532	92.5	0.26	0.022
		2330					164.2	532	93.5		
			2850				195.9	521	93.9		
B	1650						125.1	522	92.1	0.31	0.025
		2120					156.8	510	93.3		
			2600				184.8	492	93.9		
				2870			199.4	482	94.1		
C	1330						102.8	435	90.9	0.47	0.038
		1720					130.5	428	92.4		
			2110				156.6	420	93.3		
				2340			170.2	413	93.6		
					2780		195.3	399	94.1		
D	1210						92.9	395	90.5	0.56	0.045
		1570					118.5	390	92.1		
			1920				142.7	383	93.1		
				2130			155.8	379	93.5		
					2530		179.8	368	94.0		
E	920						68.6	301	87.6	0.90	0.084
		1200					88.6	299	89.8		
			1480				108.0	296	91.2		
				1640			118.9	294	91.8		
					2790		193.6	361	94.2		
F	670						50.2	228	84.6	1.61	0.145
		880					65.7	228	87.5		
			1090				81.0	227	89.3		
				1210			89.5	226	90.1		
					1450		106.3	224	91.3		
G	510						38.0	181	80.6	2.51	0.239
		680					50.5	181	84.3		
			840				62.8	181	86.7		
				940			69.7	181	87.8		
					1130		83.5	180	89.4		
H	410						30.5	151	77.9	3.61	0.334
		550					40.9	151	82.2		
			690				51.2	151	85.0		
				770			57.1	150	86.2		
					930		68.6	150	88.0		
I	330						24.6	128	73.8	4.92	0.474
		450					33.5	128	79.0		
			570				42.3	128	82.3		
				640			47.3	128	83.8		
					780		57.3	128	86.0		
L	380						28.4	112	76.6	6.43	0.612
		490					36.1	112	80.4		
			550				40.5	112	82.0		
				670			49.3	112	84.5		
					740		54.8	112	85.7		

MM 200 L

	VELOCITA' [RPM] ALLE TENSIONI						P [kW]	I [A]	η [%]	ARMATURA	
	260V	330V	400V	440V	520V	570V				L [mH]	R _{115°} [Ω]
A	1560						127.5	532	92.1	0.30	0.024
		2000					163.8	532	93.2		
			2450				194.8	519	93.9		
				2710			209.8	507	94.1		
B	1410						123.2	517	91.7	0.36	0.028
		1820					154.7	504	93.0		
			2230				183.5	489	93.8		
				2460			198.4	479	94.1		
					2930		225.1	458	94.4		
C	1140						101.2	431	90.3	0.54	0.042
		1480					128.6	424	92.0		
			1810				154.4	415	93.0		
				2000			168.3	409	93.4		
					2390		194.2	397	94.0		
D	1040						91.4	391	89.9	0.65	0.049
		1340					116.7	386	91.6		
			1650				140.7	379	92.7		
				1820			153.8	375	93.2		
					2180		178.4	365	93.9		
E	790						67.3	299	86.7	1.05	0.092
		1030					87.1	296	89.1		
			1270				106.3	293	90.7		
				1410			117.0	291	91.4		
					2390		192.5	359	94.1		
F	570						49.0	226	83.4	1.86	0.159
		750					64.5	226	86.5		
			930				79.6	225	88.6		
				1030			88.1	224	89.4		
					1240		104.7	222	90.8		
G	430						36.9	180	78.9	2.91	0.264
		570					49.2	180	83.0		
			720				61.5	180	85.7		
				800			68.5	179	86.8		
					960		82.0	178	88.6		
H	350						29.5	149	76.0	4.19	0.368
		460					39.7	149	80.7		
			580				50.0	149	83.8		
				650			55.8	149	85.1		
					790		67.4	149	87.1		
I	380						32.4	127	77.2	5.70	0.523
		480					41.1	127	80.8		
			540				46.1	127	82.4		
				660			56.1	127	84.8		
					730		62.3	127	86.0		
L	320						27.4	111	74.5	7.45	0.675
		410					35.0	111	78.7		
			460				39.4	111	80.4		
				570			48.1	111	83.1		
					630		53.6	111	84.5		

MM 200 P

	VELOCITA' [RPM] ALLE TENSIONI						P [kW]	I [A]	η [%]	ARMATURA	
	260V	330V	400V	440V	520V	570V				L [mH]	R _{115°} [Ω]
A	1360						127.0	532	91.7	0.35	0.026
		1750					163.3	532	92.9		
			2140								